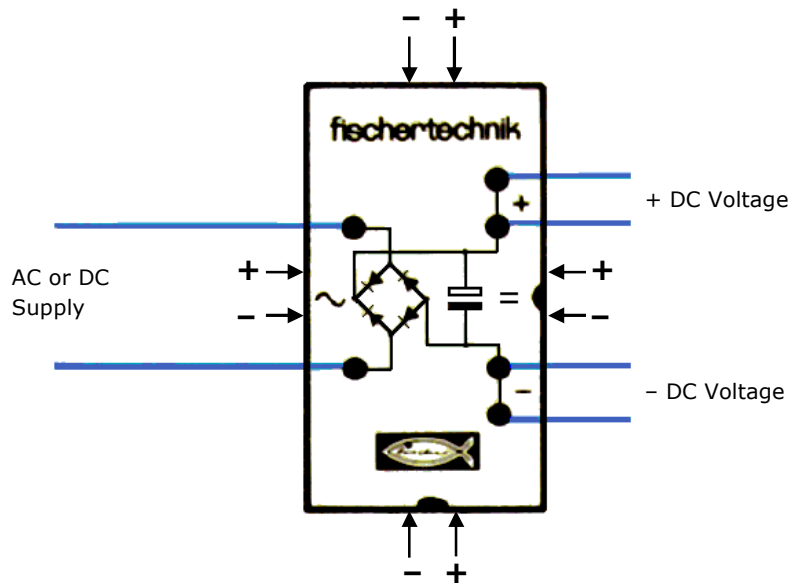


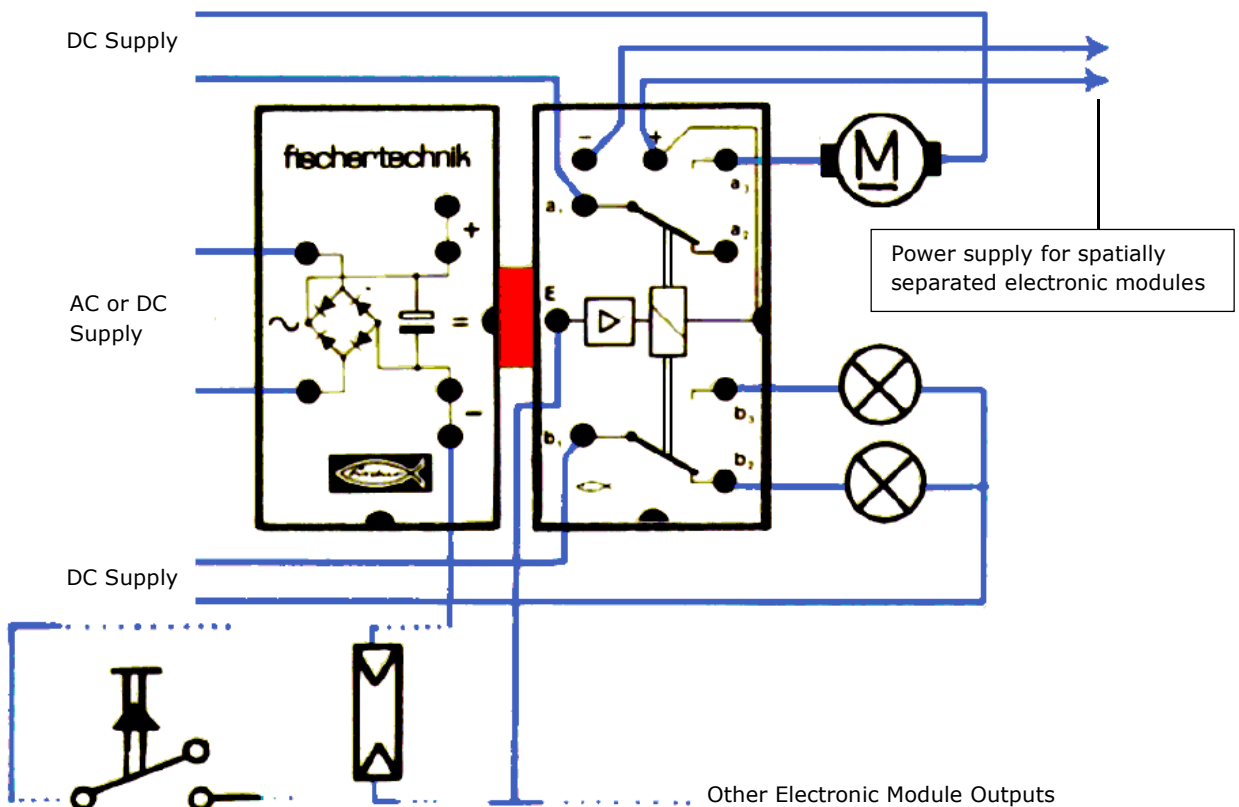


### 30811 h4 GB Rectifier Module:

Contact strips for the voltage supply of the electronic modules that can be plugged in at all four sides (the blocks are connected automatically to the supply voltage by inserting the red intermediate plug).

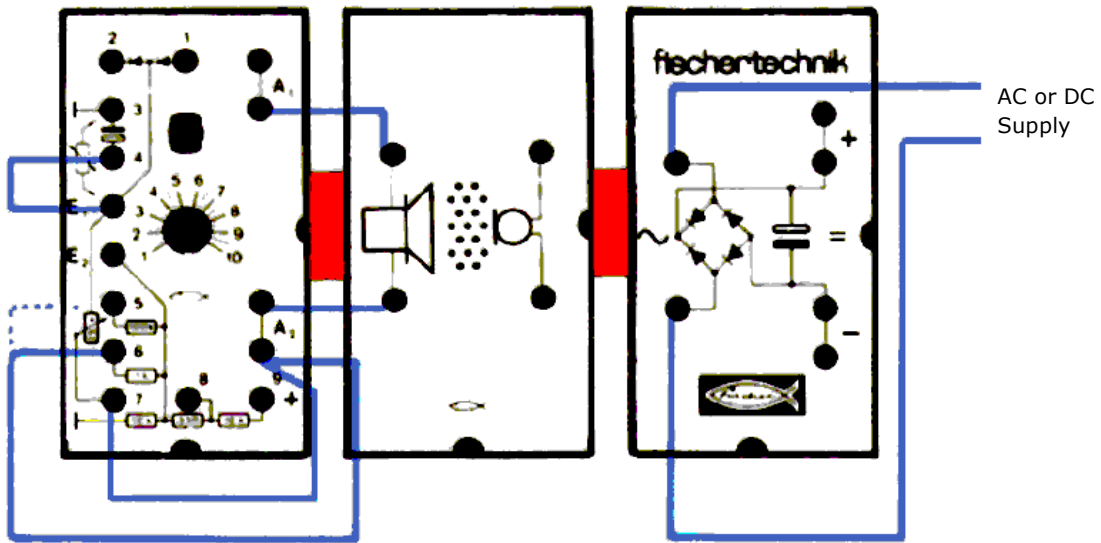


### 30812 h4 RB Relay Module:



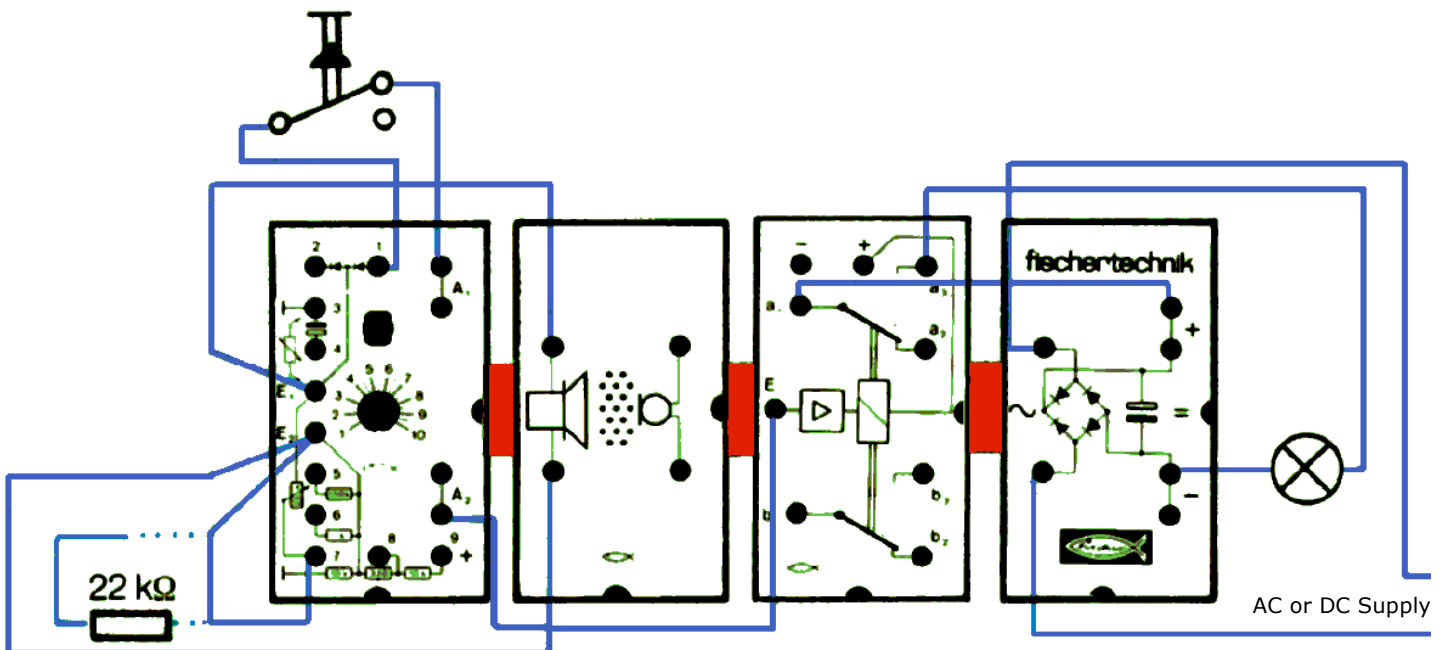
### 30813 h4 G Basic Module:

Tone generator with: low frequency (A2 to 6) high frequency (A2 to 5). The frequency can be adjusted with the rotary knob).

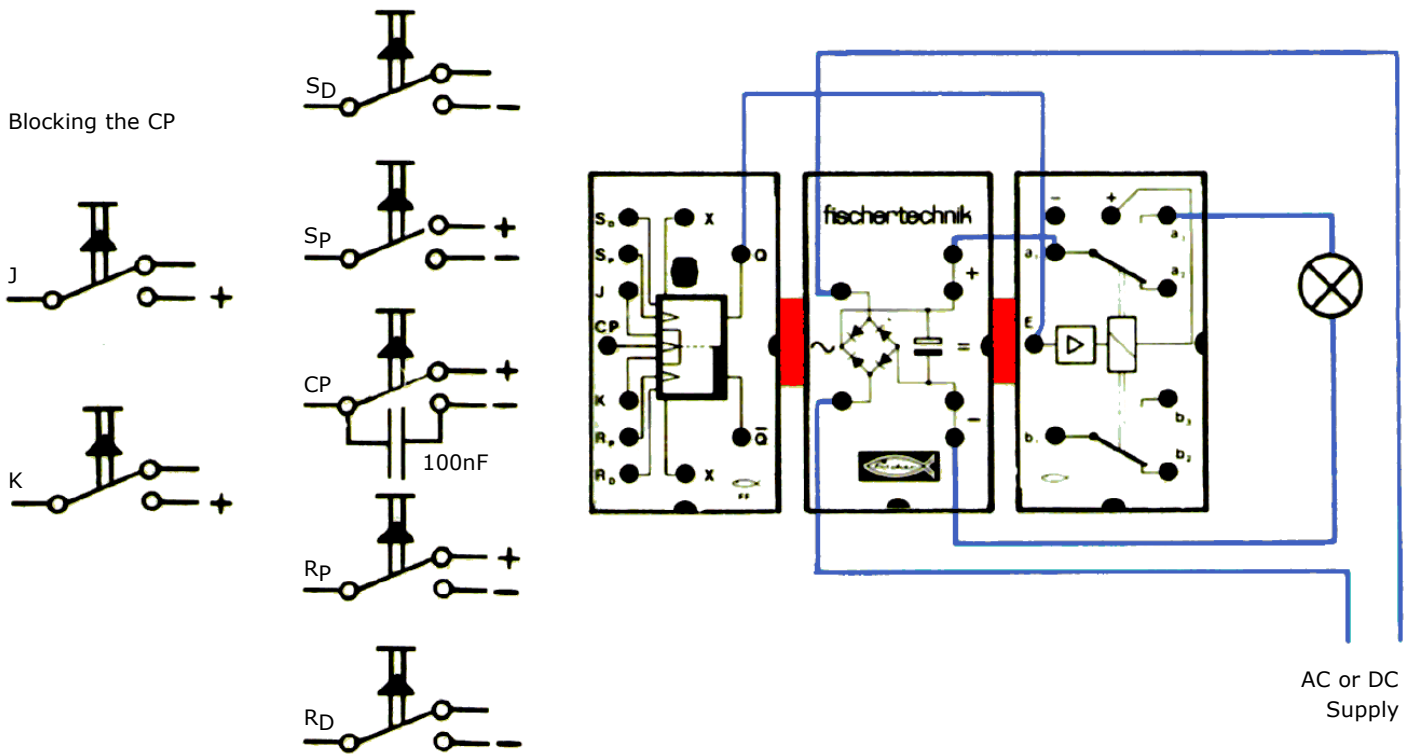


### 30814 h4 ML Microphone-Loudspeaker Module:

The "crystal system" built into the microphone - loudspeaker module can convert sound into electrical energy and vice versa. As a sound level sensor, the module is connected to the sockets E<sub>1</sub> and E<sub>2</sub>, and as loudspeaker to the sockets A<sub>1</sub> and A<sub>2</sub> of the basic module. In the example below: For noise level sensor with low sensitivity connect E<sub>2</sub> to 7. For high sensitivity connect a resistance of 22kΩ from E<sub>2</sub> to 7. This example is self-latching with a manual reset.

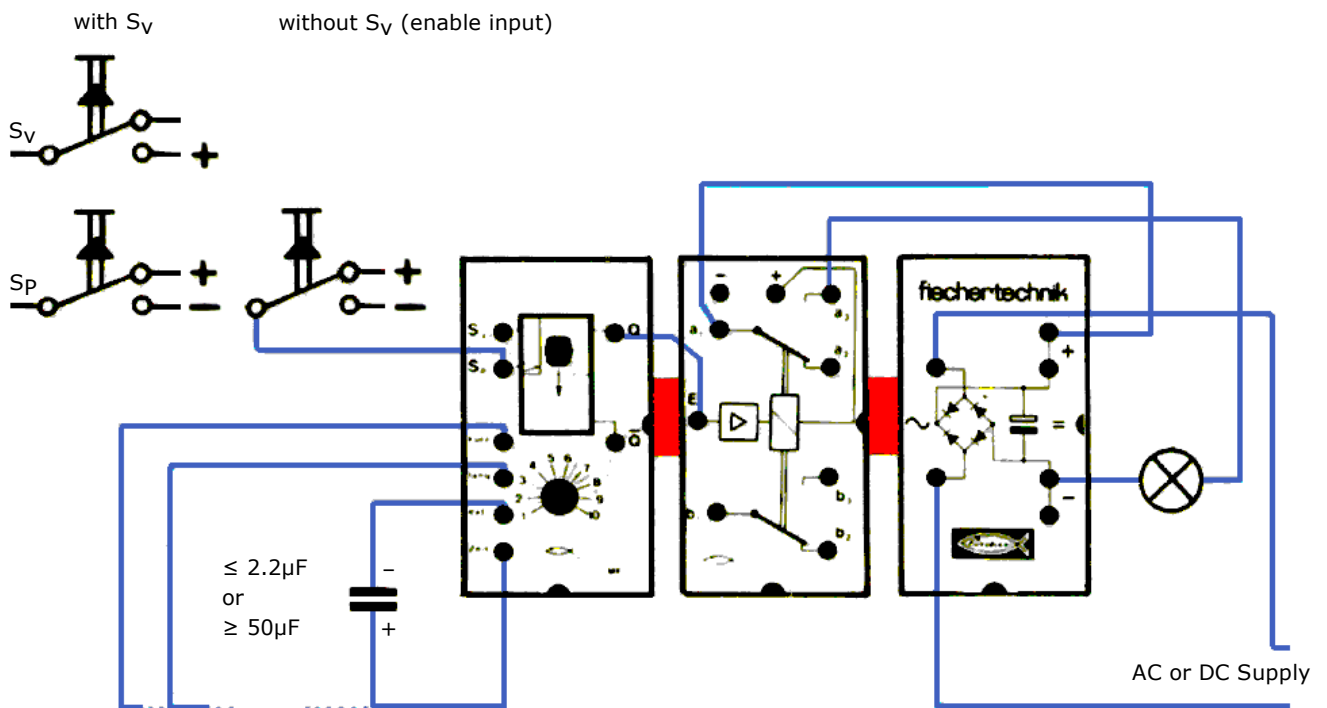


**30815 h4 FF Flip-Flop Module:**



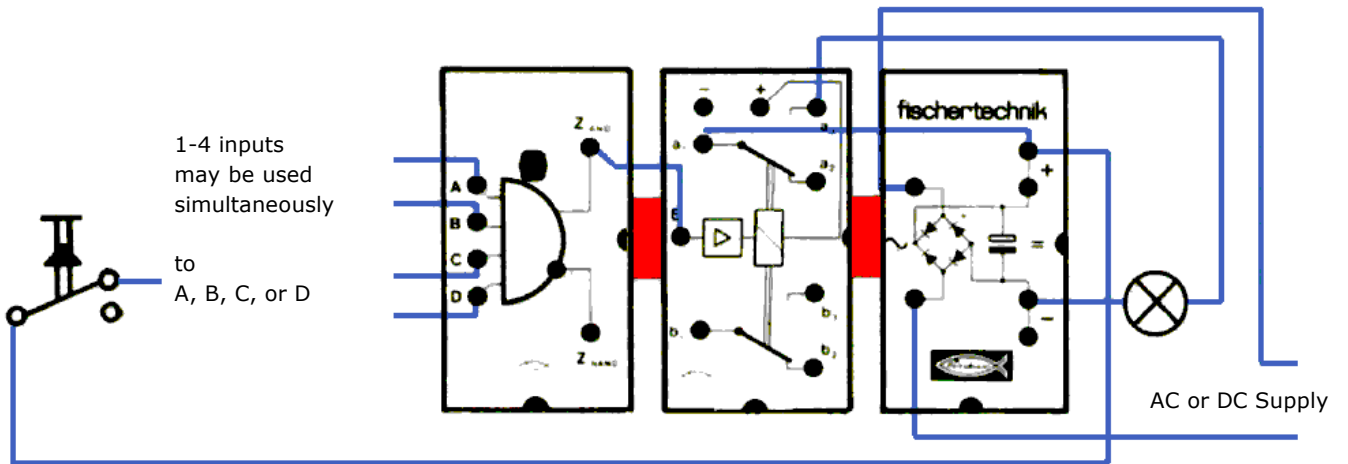
**30816 h4 MF Mono-Flop Module:**

Mono-Staple Multivibrator with adjustable on-time.



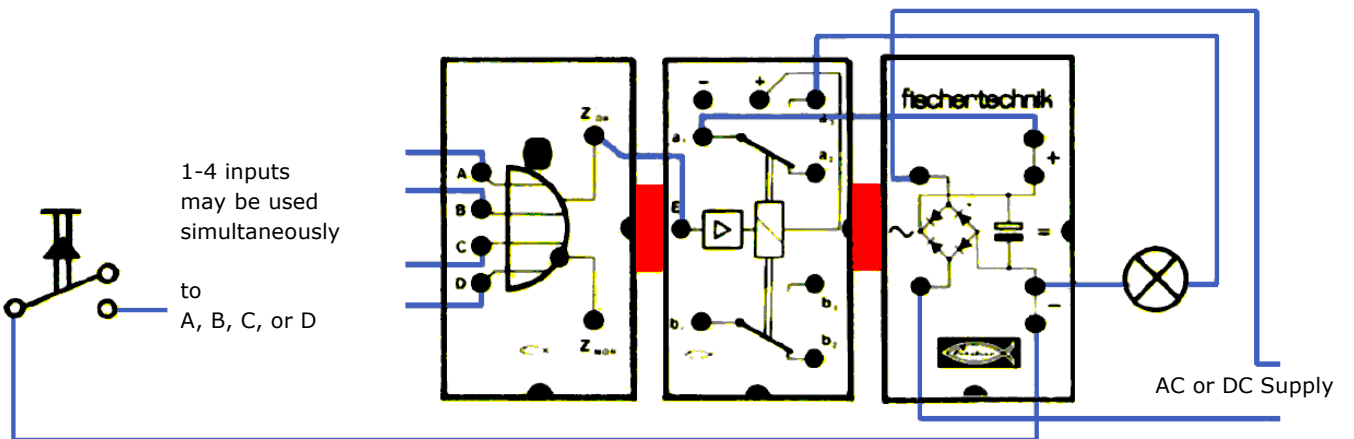
**30817 h4 AN AND-NAND Module:**

The AND condition is satisfied when no input A-D is connected or when a 1-signal ("-") is connected. A 0-signal ("+") on any input ensures that the AND condition is NOT satisfied.



**30818 h4 ON OR-NOR Module:**

The OR condition is satisfied when any input A-D is connected to a 1-signal ("-").



**30819 h4 DA Dynamic-AND Module:**

Dynamic AND unit with 2 separate dynamic AND-gates.

