

SPA-8330 SWITCHED MODE POWER SUPPLY

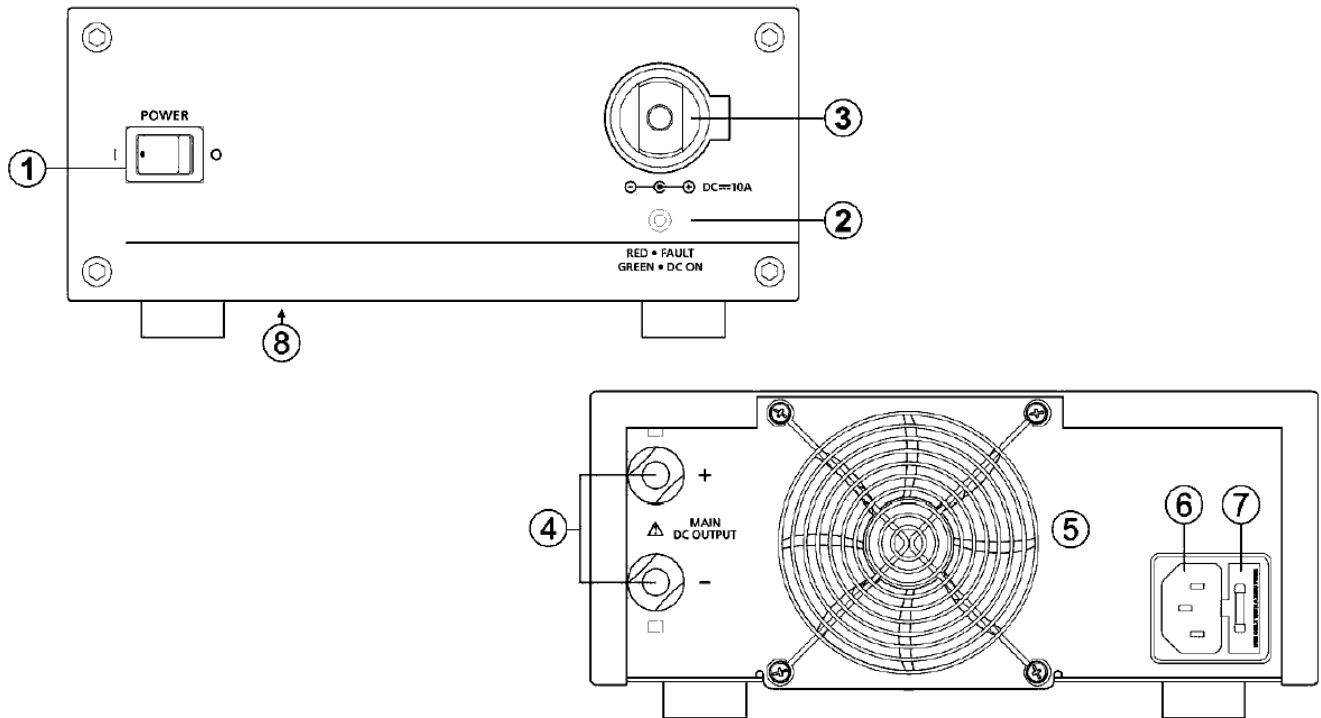
USER'S MANUAL

INTRODUCTION

The SPA-8330 Switched Mode DC Power Supply provides high power output for its small size and weight. It is suitable for a variety of applications, for example operating low voltage automotive and radio equipment from an AC mains outlet, and provides 13.8Volts (trim pot adjustable 10V to 15V) at up to 36 Amps peak.

Please read these instructions carefully and follow them to prevent abuse or misuse of the power supply. These instructions must be kept for future reference.

PANEL DESCRIPTION



- | | |
|------------------------------------|--|
| 1. Power On/Off Switch | 2. Indicator: DC ON (green)/ Fault (red) |
| 3. Auto Accessory Socket (10A max) | 4. DC Output Terminals |
| 5. Cooling Fan (Variable speed) | 6. AC Input Socket (IEC) |
| 7. Fuse Holder | 8. Trim pot voltage adjustment |

INSTALLATION

1. Ensure that the unit is properly grounded through the AC mains plug. This will prevent electric shock due to leakage should a high voltage surge occur.
2. **DO NOT** place the unit in dusty or highly humid locations. **DO NOT** place the unit in direct sun-light or locations subjected to high temperatures.
3. Place the unit on a flat surface in a location which provides unobstructed air circulation. Allow at least 50mm space on the sides and back of the power supply.
4. **DO NOT** place the unit close to TV sets or CRT monitors.
5. Always use appropriate terminal lugs and tighten the screw terminals when operating at high currents to prevent arcing and overheating of the terminals.
6. The unit is for **Indoor Use only**.

CAUTION

1. **DO NOT** use the unit for powering devices that require higher current than the maximum - otherwise damage may occur to the unit.

2. **DO NOT** use the unit for lamps or motorized equipment which requires higher current than the maximum at startup. Damage to the unit may occur. Protective devices should be used with highly inductive loads!
3. **DO NOT** replace the fuse and operate the unit before rectifying the problem that caused it to fail. Always replace the fuse with the same rated type. Always unplug the unit before attempting to replace the fuse.
4. If the mains power cable or cord of this unit is damaged, it must be replaced by the same or equivalent unit from the manufacturer or service agent.

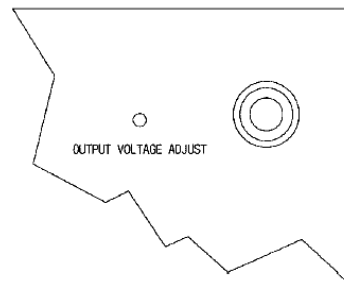
SAFETY PRECAUTIONS

1. **NEVER** remove the metal cover of the power supply with the AC power connected. Only qualified personal should open the cover. Allow the unit to cool before opening the cover. Some components may burn your hand in the event of a component failure.
2. **NEVER** touch the unit with wet hands or allow it to become wet.
3. **NEVER** operate the unit if foreign materials such as metallic objects, liquids or other debris have fallen inside. Return to the manufacturer or dealer for checking and repair.
4. **NEVER** operate the unit if it has been damaged.
5. **NEVER** allow foreign objects to come into contact with the DC output terminals.
6. **NEVER** block the vents - including the cooling fan outlet.
7. **ONLY** connect to the AC mains outlet when in use, at all other times disconnect the power supply from the AC mains outlet.

CONNECTION AND OPERATION

1. Make sure the input AC power source is as per the label before plugging in the unit.
2. This power supply outputs a fixed 13.8V; ensure that the equipment accepts this voltage.
3. Connect your equipment to the output terminals. Positive polarity to red (+) and negative polarity to black (-).
4. When ready, turn ON the power supply and check that the LED indicator lights up green.
5. Then turn ON your equipment and check that the LED indicator remains green.
6. When finished, turn OFF your equipment and then turn OFF the power supply.

ADJUSTING THE SET VOLTAGE



1. Switch on the power supply with no load connected and allow it to warm up for 15 minutes.
2. Turn over the power supply and connect a DMM with, at least, 3 digit voltage readout to the output terminals (4).
3. Using a 2mm flat head screwdriver, locate the fine tune access hole and insert the screwdriver.
4. Carefully and slowly rotate the screwdriver to adjust the voltage to the required setting.
5. Note the adjustment only rotates half a turn. Check the output voltage again, to re-confirm your new setting, after returning the power supply to the normal position.

SPECIFICATIONS

SPA-8330

OUTPUT VOLTAGE:	13.8VDC (adjustable 10 – 15V +/-0.5V)
OUTPUT CURRENT:	0-33A (36A peak 50% 1min duty cycle)
RIPPLE AND NOISE:	<50mVp-p, 5mVrms
LINE REGULATION:	<20mV
LOAD REGULATION:	<50mV
POWER SOURCE:	110-240VAC/50~60Hz AC
FUSE:	5S8A250V
OPERATING TEMPERATURE:	0°C ~ 45°C
CE APPROVALS:	CE EMS - EN55022 LVD – EN60950
DIMENSIONS (WxHxD):	200x80x213mm
WEIGHT:	Approx. 2.7Kg (3.2Kg in carton)