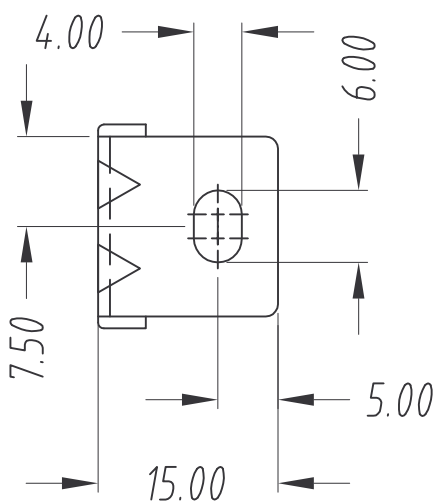
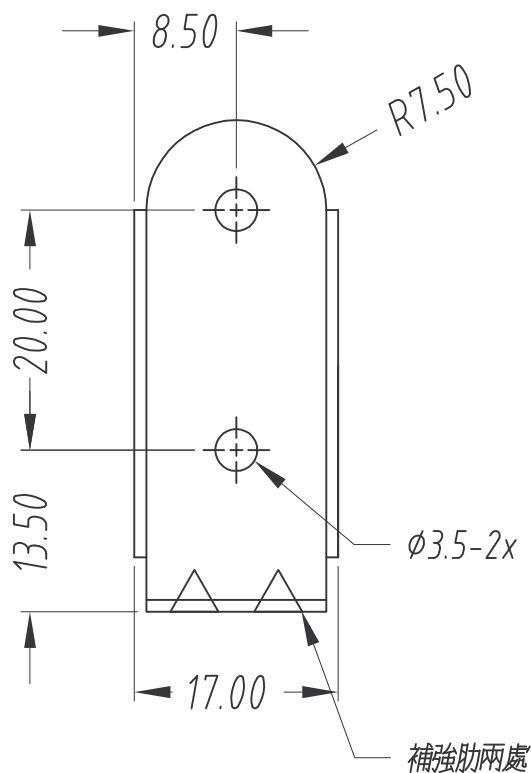
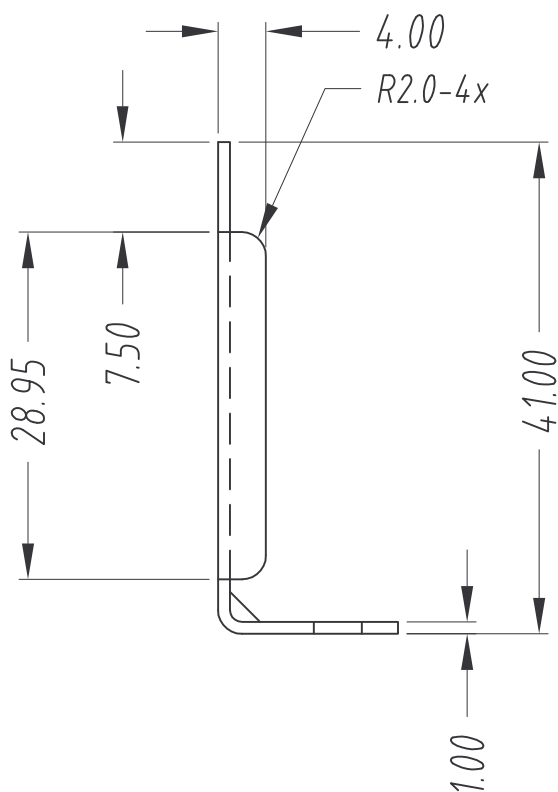


A | B | C | D

For more information on the full range of brackets, clips and plates see...
www.procontech.com.au/files/brackets.pdf



1

2

3

4

5



MATERIAL: SPCC
 材質: 冷軋板

FINISH: Nickel Plate
 處理: 鍍鎳

UNIT: mm
 單位

DWG NAME: Mounting Accessories
 圖號: 機構配件圖

THICKNESS: 1mm
 厚度

TOL.: Angle: ±1°
 $6 \pm 0.1\text{mm}$ 30 to 120: ±0.3mm
 公差 6 to 30: ±0.2mm 120 to 315: ±0.5mm

ORDER NO.: MHS013
 品號

DATE: 2007-05-21
 日期

REV. R1
 版本

6