

A

B

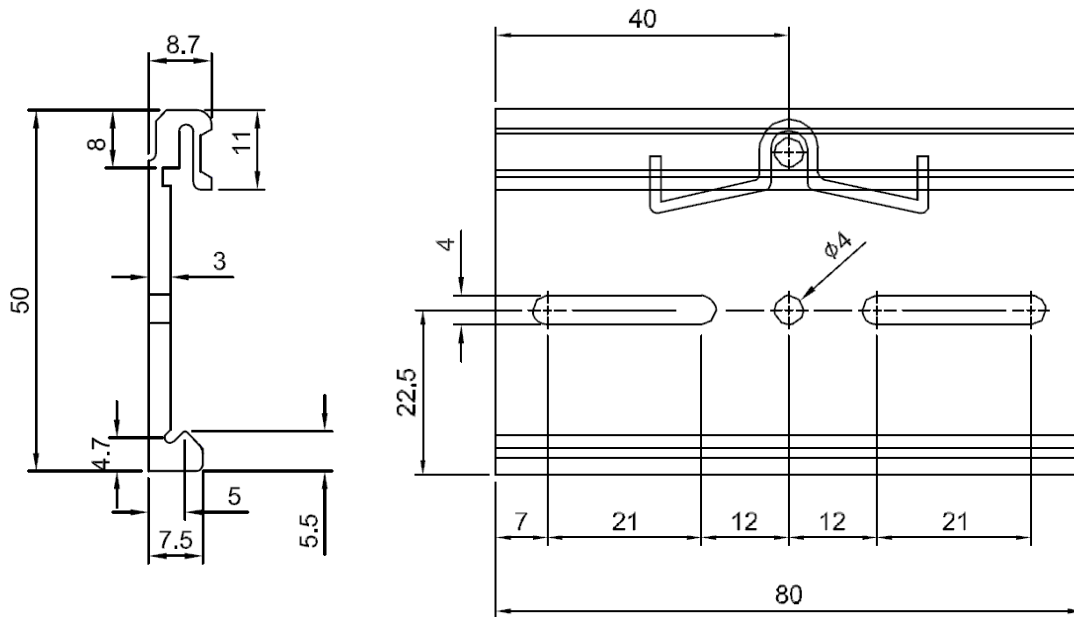
C

D

The Meanwell DIN rail clip DRP-02 can be used with any equipment with two holes (tapped M3 or M4) 24mm to 66mm apart. If necessary attach this clip to a plate and attach the plate to your equipment.

For more information on the full range of brackets, clips and plates see...

[www.procontechtechnology.com.au/files/brackets.pdf](http://www.procontechtechnology.com.au/files/brackets.pdf)



For use with Meanwell Power Supplies:

RS-15, RS-25, RS-35, RS-50, HRP-75, RS-75, RSP-75, SP-75, HRP-100\*, RS-100\*, RSP-100, SP-100, HRP-150\*, RS-150\*, RSP-150, SP-150, HRP-200\*, SP-200...  
LRS-35, LRS-50, LRS-75, LRS-100, LRS-150\*

For use with Meanwell DC-DC Converters:

SD-15, SD-25, SD-50\*, SD-100\*, SD-150\*

For other Meanwell Products:

PSC-35-C, PSC-60-C, SCP-35, SCP-50, EPS-45-C, EPS-65-C

\*use together with Meanwell plate DRP-01



MATERIAL: Al. 6065-T5

FINISH: Degreasing Cleaning Fluid

UNIT: mm

DWG NAME: Mounting Accessories  
Angle Bracket

THICKNESS:

TOL.: Angle:  $\pm 1^\circ$   
 $< 6: \pm 0.1\text{mm}$  30 to 120:  $\pm 0.3\text{mm}$   
 6 to 30:  $\pm 0.2\text{mm}$  120 to 315:  $\pm 0.5\text{mm}$

ORDER NO: DRP-02

DATE: 2005-10-17

REV. R2