



120W Single Output Industrial DIN RAIL Power Supply

**DR-120 series**



■ Features:

- AC input range selectable by switch
- Protection: Short circuit | Overload | Over voltage | Over temperature
- Cooling by free air convection
- Can be installed on DIN rail TS-35/7.5 or 15
- UL508 (industrial control equipment) approved
- LED indicator for power on
- 100% full load burn-in test
- Fixed switching frequency at 55kHz
- **3 year warranty**



**SPECIFICATIONS**

MODEL	DR-120-12	DR-120-24	DR-120-48	
OUTPUT	DC VOLTAGE	12V	24V	48V
	RATED CURRENT	10A	5A	2.5A
	CURRENT RANGE	0 - 10A	0 - 5A	0 - 2.5A
	RATED POWER	120W	120W	120W
	RIPPLE & NOISE (max) Note.2	80mVp-p	80mVp-p	100mVp-p
	VOLTAGE ADJ. RANGE	12 - 14V	24 - 28V	48 - 53V
	VOLTAGE TOLERANCE Note.3	±2.0%	±1.0%	±1.0%
	LINE REGULATION	±0.5%	±0.5%	±0.5%
	LOAD REGULATION	±1.0%	±1.0%	±1.0%
	SETUP, RISE TIME	500ms, 70ms/230VAC	500ms, 70ms/115VAC at full load	
HOLDUP TIME (Typ.)	36ms/230VAC	32ms/115VAC at full load		
INPUT	VOLTAGE RANGE	88-132VAC / 176-264VAC by switch	248-370VDC	
	FREQUENCY RANGE	47 - 63Hz		
	EFFICIENCY (Typ.)	80%	84%	85%
	AC CURRENT (Typ.)	2.6A/115VAC	1.6A/230VAC	
	INRUSH CURRENT (Typ.)	COLDSTART20A/115VAC	40A/230VAC	
	LEAKAGE CURRENT	<3.5mA / 240VAC		
PROTECTION	OVERLOAD	105 - 150% rated output power Protection type: Constant current limiting, recovers automatically after fault condition is removed		
	OVER VOLTAGE	15 - 16.5V	29 - 33V	58 - 65V
	OVER TEMPERATURE	85°C ±5°C (TSW1)	90°C ±5°C (TSW1)	90°C ±5°C (TSW1)
ENVIRONMENT	WORKING TEMP.	-10 - +60 °C(Refer to "Derating Curve")		
	WORKING HUMIDITY	20 - 90% RH non-condensing		
	STORAGE TEMP., HUMIDITY	-20 - +85 °C, 10 - 95% RH		
	TEMP. COEFFICIENT	±0.03%/°C (0 - 50°C)		
	VIBRATION	10 - 500Hz, 2G 10min./1cycle, 60min. each along X, Y, Z axes; Mounting: Compliance to IEC60068-2-6		
SAFETY & EMC (Note 4)	SAFETY STANDARDS	UL508, UL60950-1, TUV EN60950-1, EAC TP TC 004 approved		
	WITHSTAND VOLTAGE	I/P-O/P: 3kVAC I/P-FG: 2kVAC O/P-FG: 0.5kVAC		
	ISOLATION RESISTANCE	I/P-O/P, I/P-FG, O/P-FG:100MΩ / 500VDC / 25°C / 70% RH		
	EMC EMISSION	Compliance to EN55011, EN55032 (CISPR32) Class B, EN61000-3-2, -3, EAC TP TC 020		
OTHER	EMC IMMUNITY	Compliance to EN61000-4-2, 3, 4, 5, 6, 8, 11, EN55024, EN61000-6-2 (EN50082-2), heavy industry level, criteria A, EAC TP TC 020		
	MTBF	432.1Khrs min. MIL-HDBK-217F(25°C)		
	DIMENSIONS	65.5x125.2x100mm (WxHxD)		
NOTE	WEIGHT	0.79kg (0.85kg in box)		
	NOTE	1. All parameters NOT specially mentioned are measured at 230VAC input, rated load and 25 °C of ambient temperature. 2. Ripple & noise are measured at 20MHz of bandwidth by using a 12" twisted pair-wire terminated with a 0.1uf & 47uf parallel capacitor. 3. Tolerance: includes set up tolerance, line regulation and load regulation. 4. The power supply is considered a component which will be installed into O.E.M. equipment. The final equipment must be re-confirmed that it still meets EMC directives.		



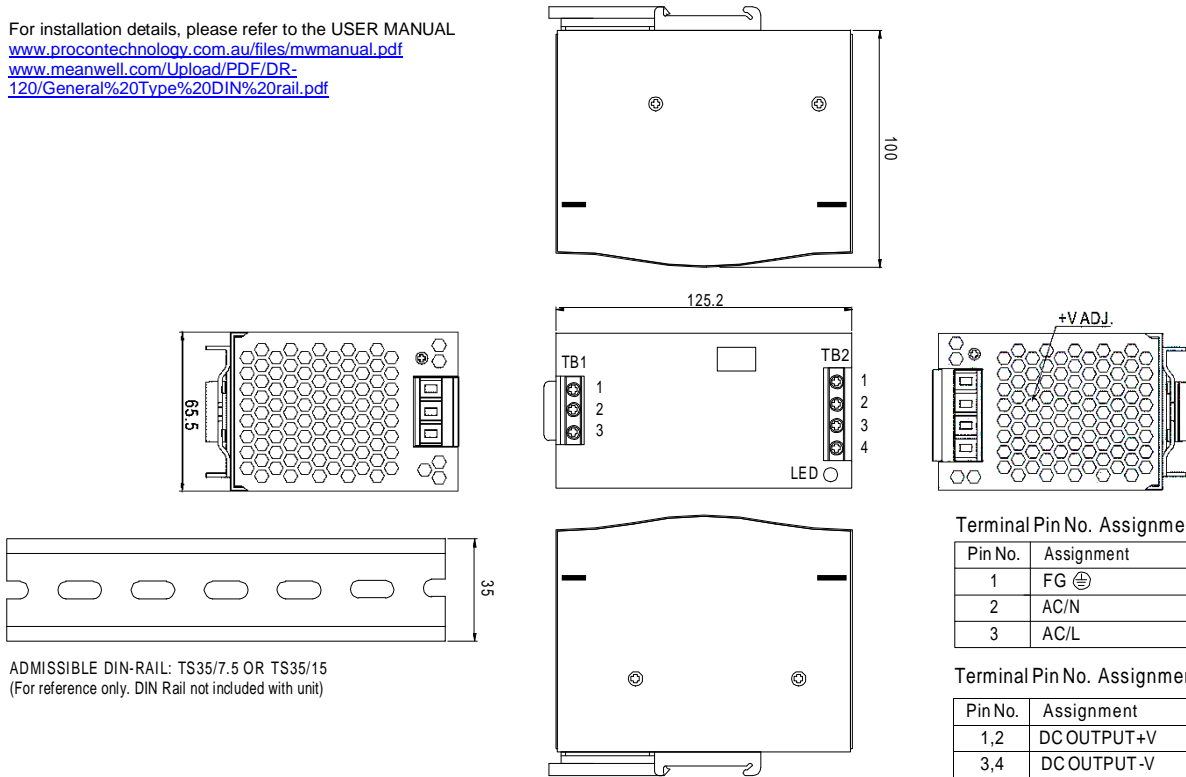
120W Single Output Industrial DIN RAIL Power Supply

DR-120 series

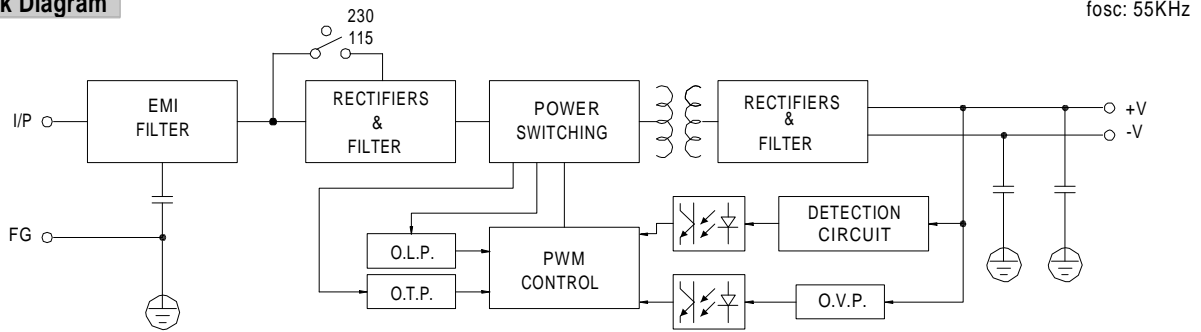
**Mechanical Specifications**

Case No. 921A Units: mm

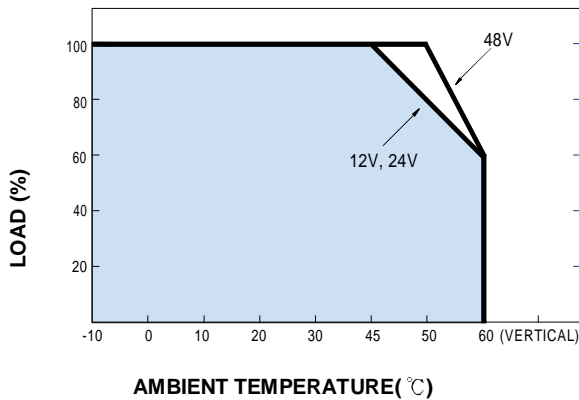
For installation details, please refer to the USER MANUAL  
[www.procontechology.com.au/files/mwmanual.pdf](http://www.procontechology.com.au/files/mwmanual.pdf)  
[www.meanwell.com/Upload/PDF/DR-120/General%20Type%20DIN%20rail.pdf](http://www.meanwell.com/Upload/PDF/DR-120/General%20Type%20DIN%20rail.pdf)



**Block Diagram**



**Derating Curve**



**Static Characteristics (24V)**

