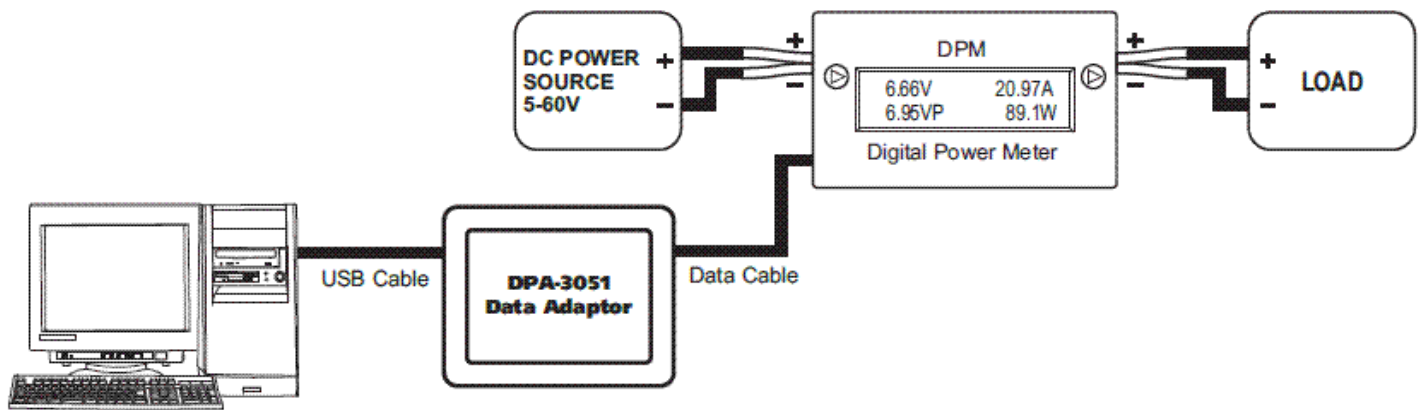


DPA-3051 Connection Diagram



Features

- Portable design
- Supports USB 2.0
- USB powered
- Supports DPM online & offline analysis
- DPM application software included
- Supports: Windows XP, Vista, 7, 8, 10
- USB, Data and Ext. power cables included

Description

DPA-3051 is data adapter for connecting the Digital Power Meters DPM-3232 and DPM-3221 to a PC through a USB 2.0 connection. By using proprietary DPM application software, it allows the extraction and analysis data stored in the DPM. The downloaded data can then be saved on the PC in a commonly used data format for other applications to use (e.g. Excel). It works with the DPM either online or offline. The graphical interface of the application software enables the instant analysis of data. Besides data analysis, it also displays real-time readings of voltage, current and power.