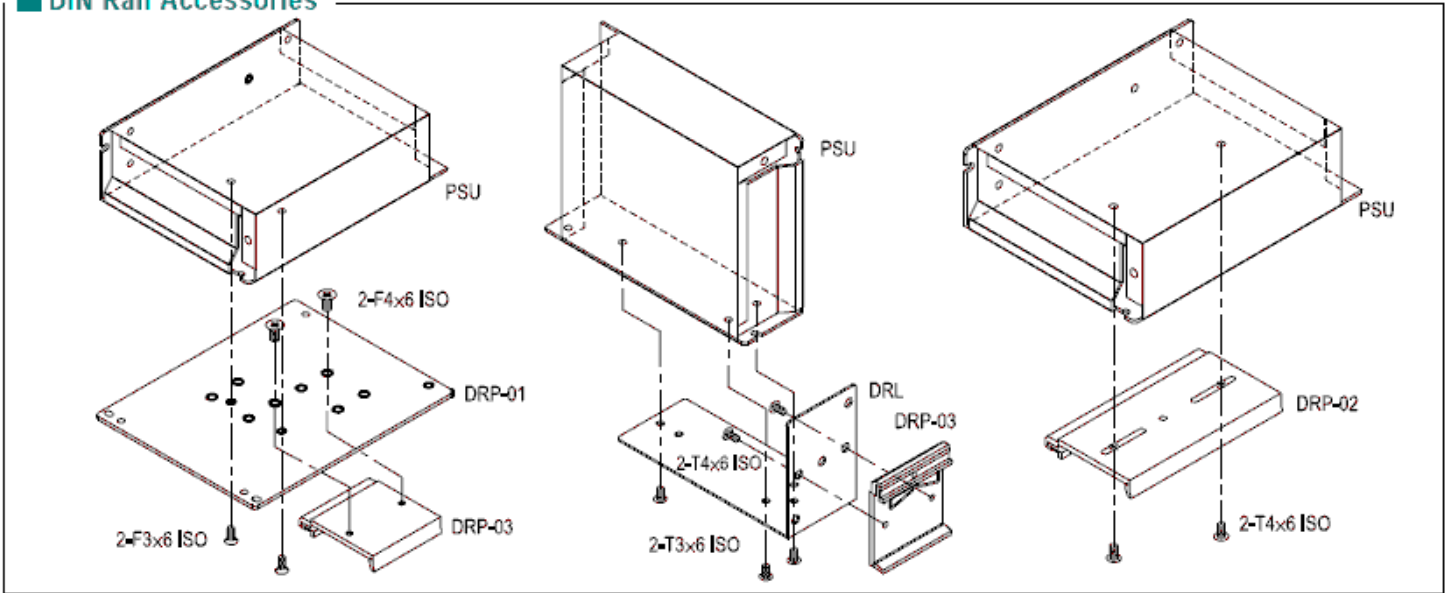
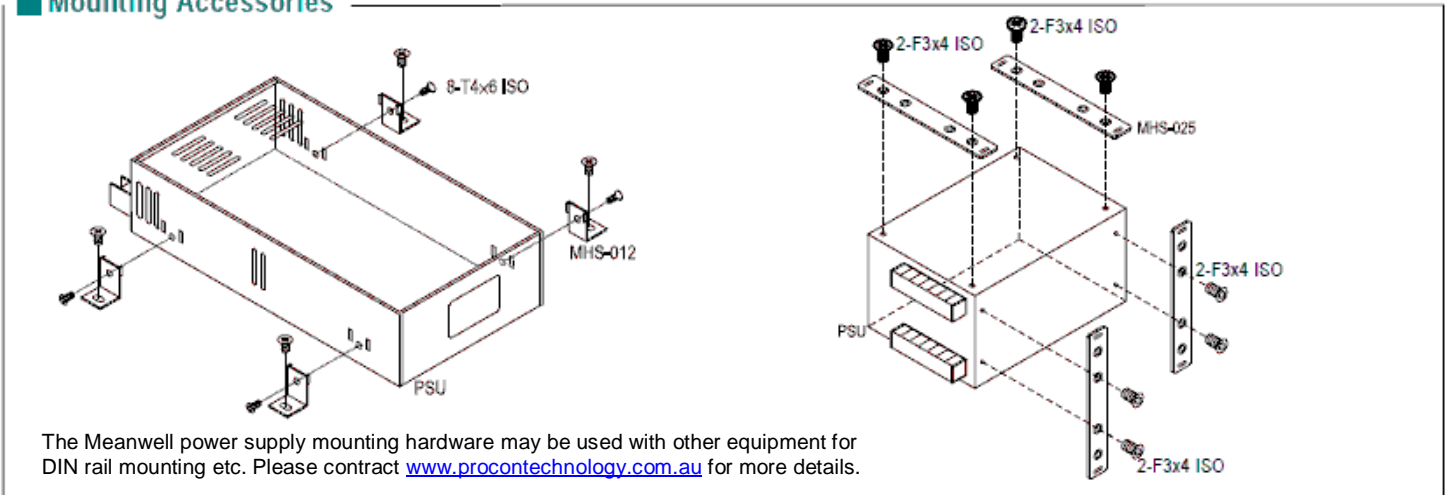


DIN Rail Accessories



Mounting Accessories



The Meanwell power supply mounting hardware may be used with other equipment for DIN rail mounting etc. Please contact www.procontechology.com.au for more details.

| ITEM | Order No. | Case | Model |
|------|-----------|---|--|
| | DRL-01 | 903, 238 905, 240 931 932, 239 971 | RS-75, HRP-75, LRS-100... RS-50, SD-25, LRS-75... RS-25, SD-15... RS-35, LRS-35, LRS-50... RS-15... |
| | DRL-02 | 901, 241 902 906 915 916 920, 220 | RS-100, SD-50, LRS-150... RS-150, HRP/G-200, SD-100... SD-150, AD/ADD/ADS-155... SP-100... SP-150, SP-200... SP-75, RSP-75... |
| | DRL-03A | 912 980 987 | SP-320, SD-200/350/500... HRP/G-300 SP-240 |
| | DRP-01 | 901, 902 903, 906 931, 932, 946 238, 239, 241 | As above |
| | DRP-01A | 203 205 978 999 | RSD-200 RSD-300 RSD-150 RSD-100 |
| | DRP-02 | 215, 227 903, 905, 915 916, 920, 931 971, DRP-01 | RSP-150, RSP-100 As above |
| | DRP-03 | DRP-01 DRP-01A DRL-01-03 | As above |
| | DRP-04 | DRP-01A | As above |

| ITEM | Order No. | Case | Model |
|------|-----------|--|--|
| | MHS012 | 206, 207, 215 912, 915 916, 935 939, 940 977, 980 982, 987 995, 226, 227 | HDP-190/240, RSP-150/200/320, SP-320, SD-200/350/500, SP-100, SP-150, SP-200 MP450/650/1K0 HRP/G-300/600, HRP/G-1000 RSP-2400/3000, SP-240, HRP/G-450, RSP-100/500 |
| | MHS013 | 919 | SP-750 |
| | MHS014 | 212, 952 249, 250 | RSP-750/1000/2000, SD-1000 NMP-650/1K2 |
| | MHS025 | 910 207 | PSP-600, PSPA-1000... RSP-200, RSP-320 |
| | MHS026 | 943, 223, 234 | RSP-1500, RST-5000, RST-10000 |
| | MHS027 | 971 931 | RS-15 RS-25, SD-15 |
| | TBC-05 | 901, 903 905 932 220 239, 240 | SD-50, RS-75 SD-25, RS-50 RS-35 RSP-75 LRS-35, LRS-50, LRS-75 |
| | TBC-07 | 901 902 903 905, 906 215, 227 238 241 | RS-100, RD-85, RID-85 RS-150, SD-100, RD-125, RID-125 RD-65, RID-65 RD-50, S-150, SD-150 RSP-150, RSP-100 LRS-100 LRS-150, LRS-150F |
| | TBC-08 | 906 | AD-155, ADD/ADS-155 |
| | TBC-09 | 207 | RSP-200, RSP-320 |